



INDUSTRIAL COMPUTER SOURCE[®]

Model AOB8/12 & AOB16/12 Product Manual

MANUAL NUMBER : 00650-134-4B



INDUSTRIAL COMPUTER SOURCE[®]



<http://www.indcompsrc.com>

6260 SEQUENCE DRIVE, SAN DIEGO, CA 92121-4371 (619) 677-0877 (FAX) 619-677-0895

INDUSTRIAL COMPUTER SOURCE EUROPE TEL 01.69.18.74.40 FAX 01.64.46.40.42 • INDUSTRIAL COMPUTER SOURCE (UK) LTD TEL 01243-523500 FAX 01243-532949

FOREWARD

This product manual provides information to install, operate and or program the referenced product(s) manufactured or distributed by Industrial Computer Source. The following pages contain information regarding the warranty and repair policies.

Technical assistance is available at: **1-800-480-0044**.

Manual Errors, Omissions and Bugs: A "Bug Sheet" is included as the last page of this manual. Please use the "Bug Sheet" if you experience any problems with the manual that requires correction.

The information in this document is provided for *reference* only. Industrial Computer Source does not assume any liability arising from the application or use of the information or products described herein. This document may contain or reference information and products protected by copyrights or patents and does not convey any license under the patent rights of Industrial Computer Source, nor the rights of others.

Copyright © 1995 by Industrial Computer Source, a California Corporation, 6260 Sequence Drive, San Diego, CA 92121-4371. Industrial Computer Source is a Registered Trademark of Industrial Computer Source. All trademarks and registered trademarks are the property of their respective owners. All rights reserved. Printed in the United States of America. No part of this publication may be reproduced, stored in a retrieval system, or transmitted, in any form or by any means, electronic, mechanical, photocopying, recording, or otherwise, without the prior written permission of the publisher.

Guarantee

A thirty day money-back guarantee is provided on all **standard** products sold. **Special order products** are covered by our Limited Warranty, *however they may not be returned for refund or credit. EPROMs, RAM, Flash EPROMs or other forms of solid electronic media are not returnable for credit - but for replacement only. Extended Warranty available. Consult factory.*

Refunds

In order to receive refund on a product purchase price, the product must not have been damaged by the customer or by the common carrier chosen by the customer to return the goods, and the product must be returned complete (meaning all manuals, software, cables, etc.) within 30 days of receipt and in as-new and resalable condition. The **Return Procedure** must be followed to assure prompt refund.

Restocking Charges

Product returned *after 30 days, and before 90 days*, of the purchase will be subject to a **minimum 20%** restocking charge and any charges for damaged or missing parts.

Products not returned within 90 days of purchase, or products which are not in as-new and resalable condition, are not eligible for credit return and will be returned to the customer.

Limited Warranty

One-year limited warranty on all products sold with the exception of the "Performance Series" I/O products, which are warranted to the original purchaser for as long as they own the product, subject to all other conditions below, including those regarding neglect, misuse and acts of God. Within one year of purchase, Industrial Computer Source will repair or replace, at our option, any defective product. At any time after one year, we will repair or replace, at our option, any defective "Performance Series" I/O product sold. This does not include products damaged in shipment, or damaged through customer neglect or misuse. Industrial Computer Source will service the warranty for all standard catalog products for the first year from the date of shipment. After the first year, for products not manufactured by Industrial Computer Source, the remainder of the manufacturer's warranty, if any, will be serviced by the manufacturer directly.

The **Return Procedure** must be followed to assure repair or replacement. Industrial Computer Source will normally return your replacement or repaired item via UPS Blue. *Overnight delivery or delivery via other carriers is available at additional charge.*

The limited warranty is void if the product has been subjected to alteration, neglect, misuse, or abuse; if any repairs have been attempted by anyone other than Industrial Computer Source or its authorized agent; or if the failure is caused by accident, acts of God, or other causes beyond the control of Industrial Computer Source or the manufacturer. Neglect, misuse, and abuse shall include any installation, operation, or maintenance of the product other than in accordance with the owners' manual.

No agent, dealer, distributor, service company, or other party is authorized to change, modify, or extend the terms of this Limited Warranty in any manner whatsoever. Industrial Computer Source reserves the right to make changes or improvements in any product without incurring any obligation to similarly alter products previously purchased.



Shipments not in compliance with this Guarantee and Limited Warranty Return Policy will not be accepted by Industrial Computer Source.

Return Procedure

For any Limited Warranty or Guarantee return, please contact Industrial Computer Source's Customer Service at **1-800-480-0044** and obtain a Return Material Authorization (RMA) Number. All product(s) returned to Industrial Computer Source for service or credit **must** be accompanied by a Return Material Authorization (RMA) Number. Freight on all returned items **must** be prepaid by the customer who is responsible for any loss or damage caused by common carrier in transit. Returns for Warranty **must** include a Failure Report for each unit, by serial number(s), as well as a copy of the original invoice showing date of purchase.

To reduce risk of damage, returns of product must be in an Industrial Computer Source shipping container. If the original container has been lost or damaged, new shipping containers may be obtained from Industrial Computer Source Customer Service at a nominal cost.

Limitation of Liability

In no event shall Industrial Computer Source be liable for any defect in hardware or software or loss or inadequacy of data of any kind, or for any direct, indirect, incidental, or consequential damages in connection with or arising out of the performance or use of any product furnished hereunder. Industrial Computer Source liability shall in no event exceed the purchase price of the product purchased hereunder. The foregoing limitation of liability shall be equally applicable to any service provided by Industrial Computer Source or its authorized agent.

Some *Sales Items* and *Customized Systems* are **not** subject to the guarantee and limited warranty. However, in these instances any deviations will be disclosed prior to sales and noted in the original invoice. ***Industrial Computer Source reserves the right to refuse returns or credits on software or special order items.***

Advisories

Three types of advisories are used throughout the manual to stress important points or warn of potential hazards to the user or the system. They are the Note, the Caution, and the Warning. Following is an example of each type of advisory:

Note: The note is used to present special instruction, or to provide extra information which may help to simplify the use of the product.



CAUTION!



A Caution is used to alert you to a situation which if ignored may cause injury or damage equipment.



WARNING!



A Warning is used to alert you of a situation which if ignored will cause serious injury.

Cautions and Warnings are accented with triangular symbols. The exclamation symbol is used in all cautions and warnings to help alert you to the important instructions. The lightning flash symbol is used on the left hand side of a caution or a warning if the advisory relates to the presence of voltage which may be of sufficient magnitude to cause electrical shock.

Use caution when servicing any electrical component. We have tried to identify the areas which may pose a Caution or Warning condition in this manual; however, Industrial Computer Source does not claim to have covered all situations which might require the use of a Caution or Warning.

You must refer to the documentation for any component you install into a computer system to insure proper precautions and procedures are followed.

Table of Contents

FOREWARD	iii
Guarantee	iv
Limited Warranty	iv
Return Procedure	v
Limitation of Liability	v
Advisories	vi
Chapter 1: Installation	1
Backing up the Disk	1
Hard Disk Installation	1
Installing the Card	2
How to remain CE Compliant	2
Chapter 2: Functional Description	3
Chapter 3: Option Selection	5
Output Ranges	6
Analog Outputs Update	6
Chapter 4: Address Selection	7
Chapter 5: Programming	9
Chapter 5: Data Format	13
Chapter 6: Software	15
Chapter 7: Calibration	17
Chapter 8: Connector Pin Assignments	19
Chapter 9: Specifications	21
Environmental	21
CE Declaration of Conformity	

List of Figures

Figure 2-1 Block Diagram	4
Figure 3-1: Option Selection Map	6
Figure 4-1: Standard Address Assignments for PC and PC/XT Computers	7

Current Revision 4B

August 1997

This page intentionally left blank

Chapter 1: Installation

Backing up the Disk

The software provided with the AOB8/12 and AOB12/16 is in DOS, 3½" 1.4M format. You should make back-up copies for everyday use and place your original master diskette in a safe location. You may make as many back-up copies as needed.

The easiest way to make a back-up copy is to use the DOS DISKCOPY utility. First, use the DOS command FORMAT/S to format a new diskette and then copy files from the master diskette.

In a single-drive system, the command is: `DISKCOPY A: A:`

You will need to swap disks as requested by the system.

In a two-disk system, the command is: `DISKCOPY A: B:`

This will copy the contents of the master disk in drive A to the back-up disk in drive B.

Hard Disk Installation

The files contained on the master diskette may also be copied onto your hard disk. To do this perform the following:

- 1.) Place the master diskette into a floppy drive.
- 2.) Change the active drive to the drive that has the master diskette installed. For example, if the diskette is the A drive, type A:
- 3.) Type INSTALL and follow the screen prompts.

Files contained on the disk are stored in separate directories as follows:

ROOT DIRECTORY:	Contains the FINDBASE PROGRAM that will help you to decide what base address to use with the card. Also contains the DA12SET.EXE setup and calibration program.
PSAMPLES:	Contains Pascal samples and the Pascal-linkable driver.
CSAMPLES:	Contains "C" samples and the "C"-linkable driver.
BSAMPLES:	Contains the BASIC and QuickBASIC samples as well as the binary and linkable drivers.
VBACCESS:	VisualBASIC utility driver that includes PEEK and POKE statements for reading and writing RAM as well as INPORT and OUTPORT for reading and writing I/O. The driver is in the form of a DLL and allows you to access hardware as if the language was designed for it when you use VisualBASIC for Windows.

Installing the Card

Before installing the card carefully read the Address Selection and Option Selection sections of this manual and configure the card according to your requirements. Be especially careful with address selection. If the addresses of two installed functions overlap you will experience unpredictable computer behavior. If unsure what locations are available, you can use the FINDBASE program provided on our diskette to locate blocks of available addresses.

To install the card:

1. Turn off computer power.
2. Remove the computer cover.
3. Remove the blank I/O backplate.
4. Set switches for selected options. See the option selection section of this manual.
5. Select the base address on the card. See the address selection section of this manual.
6. Install the card in an I/O expansion slot.
7. Install the I/O cable.
8. Inspect for proper fit of the card and cables, tighten screws.
9. Replace the computer cover and apply power.

Chapter 2: Functional Description

The AOB8/12 and AOB16/12 are full-size cards that can be installed in any long I/O slot of PC-AT class computers. They contain either 8 or 16 double-buffered digital-to-analog converters (DAC) and provide 8 or 16 independent analog output channels of 12-bit resolution. Each analog output channel can be configured for ranges of:

- 0V to +2.5V
- 0V to +5V
- 0V to +10V
- 2.5V to +2.5V
- 5V to +5V
- 10V to +10V

The analog output channels have a double-buffered input for single-step update and each is addressed at its own I/O location. Type AD7237 double-buffered, dual, DAC chips are used. Data are transferred into outer registers a byte at a time (eight LSB's then eight MSB's) and then transferred into inner registers a word at a time. The analog outputs can be updated either independently or simultaneously.

In order to prevent inadvertent outputs at power-up, AOB8/12 and AOB16/12 contain automatic circuits that set D/A outputs to all zeroes at system power-on. Upon power-up, the DAC reference voltage is set to zero volts and the card is set in the Simultaneous Update mode. After all DAC's have been loaded with the desired values, a software command can be used to switch the reference voltage ON at its nominal value. Similarly, a software command can be used at any time to set the reference voltage to zero causing all DAC outputs to be zero volts.

Software provided with the card includes a unique program called FINDBASE that will help you to select an I/O bus address for this card that will not conflict with other resources installed in your computer. Software provided also includes setup and calibration programs and sample programs. The setup and calibration program provides pictorial representation and menu selection on the computer monitor. For setup, of course, it is not necessary that the card be plugged into the computer. The Address Selection and Option Selection sections of this manual provide amplifying information about switch settings.

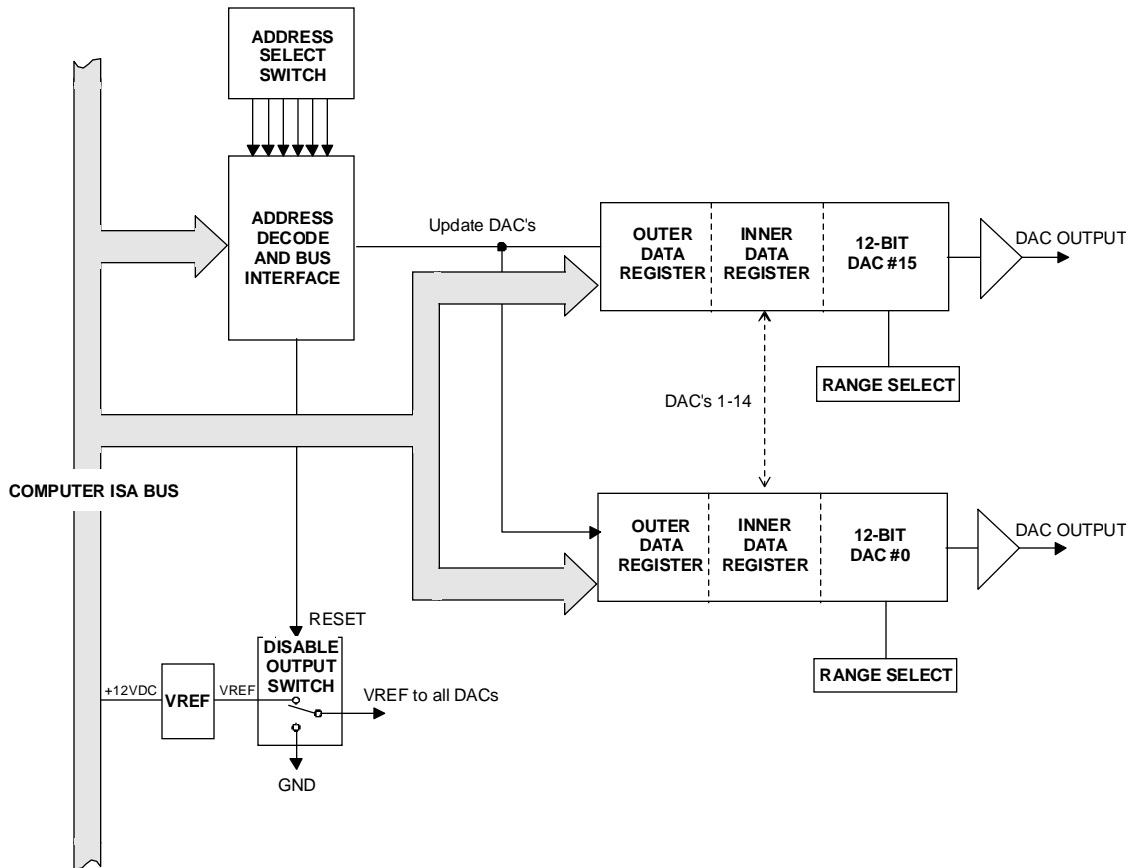


Figure 2-1: Block Diagram

How to remain CE Compliant

In order for machines to remain CE compliant, only CE compliant parts may be used. To keep a chassis compliant it must contain only compliant cards, and for cards to remain compliant they must be used in compliant chassis. Any modifications made to the equipment may affect the CE compliance standards and should not be done unless approved in writing by Industrial Computer Source.

The Model AOB16/12 & AOB8/12 are designed to be CE Compliant when used in an CE compliant chassis. Maintaining CE Compliance also requires proper cabling and termination techniques. The user is advised to follow proper cabling techniques from sensor to interface to ensure a complete CE Compliant system. Industrial Computer Source does not offer engineering services for designing cabling or termination systems. Although Industrial Computer Source offers accessory cables and termination panels, it is the user's responsibility to ensure they are installed with proper shielding to maintain CE Compliance.

Chapter 3: Option Selection

Voltage output ranges are determined by switch settings placement as described in the following paragraphs. Also, the method to update D/A outputs is programmable as described here and in the Programming section of this manual.

Output Ranges

There are three-position switches associated with each DAC channel to make voltage range selection: switches S17 (Channel 0) through S2 (Channel 15). A silk-screen illustration on the card defines switch positions to use for each range. The following table presents the same information:

Voltage Range	S1	S2	S3
0 to +2.5V	OFF	OFF	ON
0 to +5V	OFF	OFF	OFF
0 to +10V	OFF	ON	OFF
-2.5V to +2.5V	ON	OFF	ON
-5V to +5V	ON	OFF	OFF
-10 to +10V	ON	ON	OFF

Analog Outputs Update

Analog outputs are updated under program control in either one of two ways:

- (a) Automatic Update: Each channel is updated individually when new data are written to the related high-byte base address. Individual update mode may be set by a special read operation as defined in the programming section of this manual.

OR

- (b) Simultaneous Update: The outputs of all D/A's may be updated simultaneously. This is done by first enabling simultaneous updating for all outputs and then preloading the low and high bytes of each DAC and then initiating a simultaneous update by software command.

Refer to the Programming section of this manual for more detail.

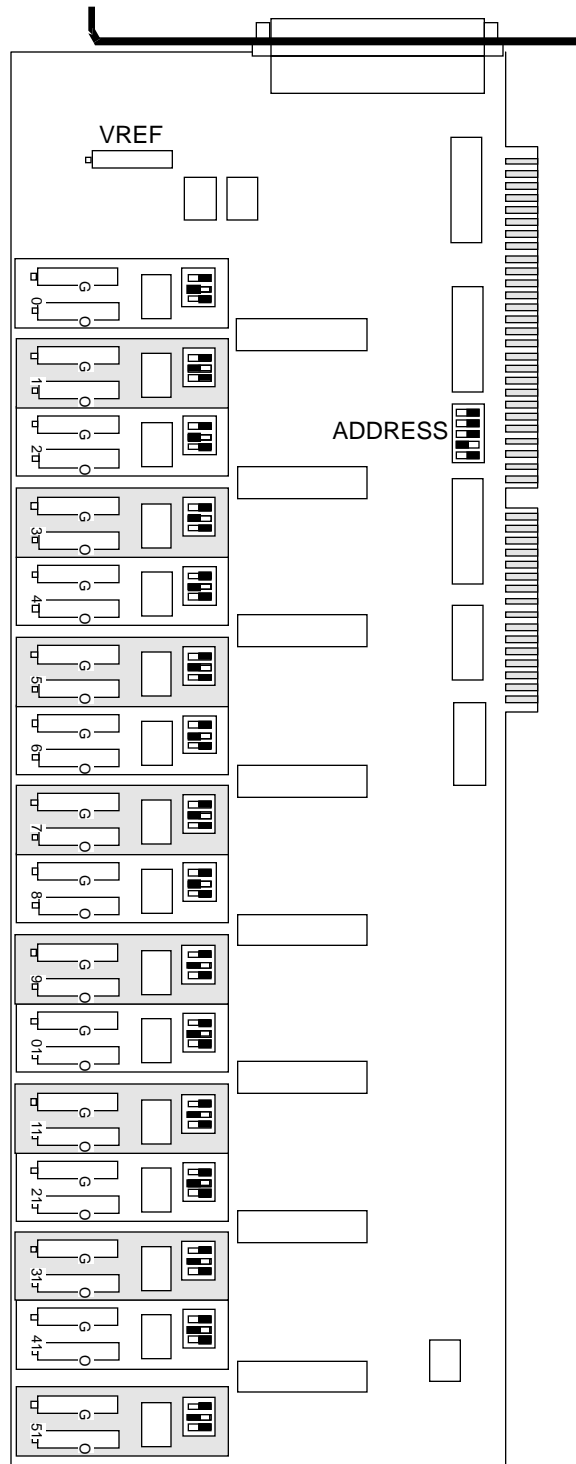


Figure 3-1: Option Selection Map

Chapter 4: Address Selection

The AOB8/12 and AOB16/12 require 16 or 32 consecutive address locations in I/O space, respectively. The starting, or base address, can be selected anywhere within an I/O address range 100-3FF hex (except 1F0 through 1F8) in AT-class computers and 200- 3FF in XT-class computers, providing that the address does not overlap with other functions. If in doubt refer to the table below for a list of standard address assignments. The Base Address Locator program FINDBASE provided on diskette by ACCES will assist you in selecting a base address that will avoid this conflict.

Hex Range	Usage
000-0FF	Internal System - Not Usable
1F0-1FF	AT Hard Disk
200-207	Game Control
278-27F	Parallel Port (LPT2)
238-23B	Bus Mouse
2E8-2EF	Asynchronous Communications (COM4)
2F8-2FF	Asynchronous Communications (COM2)
300-31F	Prototype Card
320-32F	XT Hard Disk
378-37F	Parallel Port (LPT1)
380-38F	SDLC Communications
3A0-3AF	SDLC Communications
3B0-3BB	MDA
3BC-3BF	Alt. Parallel Port
3C0-3CF	EGA
3D0-3DF	CGA
3E8-3EF	Asynchronous Communications (COM3)
3F0-3F7	Floppy Disk
3F8-3FF	Asynchronous Communications (COM1)

Figure 4-1: Standard Address Assignments for PC and PC/XT Computers

The AOB8/12 and AOB16/12 base address bits A5 through A9 are set by DIP switch S1. The setup program provided on diskette with your card includes an interactive base-address selection program. The computer monitor presents a pictorial display of the DIP switch and, when you enter your desired hex base address, the display changes to show proper switch settings for that address.

To understand how this works, consider the following. In order to select the base address, convert the desired address to binary form. Then for each “1” of binary address set the corresponding DIP switch to OFF, and for each “0” of binary address set the corresponding switch to ON.

Here’s an example showing how to program the base address to hex 300:

1. Convert hex 300 to binary 300 (hex) = 11 0000 0000 (binary)
2. Set the Address Selection DIP Switches

The AOB8/12 and AOB16/12 card occupy 16 and 32 bytes of I/O address space, respectively. Address lines A5 through A9 are used to select the base address via DIP switches marked with the same names. Address lines A0 - A4 are used to address registers at the digital-to-analog converters and there are no DIP switches for these five lines.

Address	1	1	0	0	0	0	0	0
Switch	A9	A8	A7	A6	A5	NONE		
Setting	OFF	OFF	ON	ON	ON	NONE		

Chapter 5: Programming

Programming the AOB8/12 and AOB16/12 is very straightforward as there are only two operating modes, three range-selection switches per channel, and one unique addition. The basic operation of a Digital-to-Analog card is to write a 12-bit value to a Digital to Analog Converter (DAC) preload (outer) register where it is buffered and loaded by an update command to a DAC (inner) register. Outputs of that register control a “ladder” network which produces the analog output. The output voltage range is defined by settings of the range-selection switches for that channel.

Upon power-up, or hardware reset, the DAC registers are initialized to a “zero” value and the card is set in Simultaneous Update mode. This assures that upon power-up the outputs start at zero volts out. Since the preload register is not cleared upon power-up, but left at an undefined value, a known value must be written to the preload registers before using a “Clear Release” command.

Simultaneous Update Mode is the power-up or default mode of operation for the DAC card. When a value is written to a DAC address the output does not change until an output update is commanded via a read to the BASE+8 address. (Alternatively, a read to BASE+10 will update the DAC registers and switch the board to Automatic Update Mode.) While in Simultaneous Update Mode, a single read will load all DAC registers with the value waiting in the preload registers causing all outputs to be updated and changed simultaneously.

Automatic Update Mode is the configuration which changes a DAC output immediately after the high-byte of the new value is written to the DAC address. If the card is in Simultaneous Update Mode a read to BASE+2 address will change the card back to Automatic Update Mode without updating the outputs. Or, a read to BASE+10 will update all outputs simultaneously and then release the card to the Automatic Update Mode.

Software Clear is a unique addition to our DAC card which resets the DAC’s in a manner similar to a hardware reset without changing the operating mode. This is done by sending a read to Base Address +14. Since the preload registers are not cleared the previous outputs will be restored from the preload register when a “Clear Release” command is issued by a write to Base Address +15.

The AOB8/12 and AOB16/12 cards use 16 and 32 consecutive I/O addresses, respectively. The I/O address map is as follows:

Address	Write	Read
Base + 0	DAC 0 Low Byte	Place card in Simultaneous Mode without updating outputs
Base + 1	DAC 0 High Byte	
Base + 2	DAC 1 Low Byte	Release card from Simultaneous Mode without updating outputs
Base + 3	DAC 1 High Byte	
Base + 4	DAC 2 Low Byte	
Base + 5	DAC 2 High Byte	
Base + 6	DAC 3 Low Byte	
Base + 7	DAC 3 High Byte	
Base + 8	DAC 4 Low Byte	
Base + 9	DAC 4 High Byte	
Base + 10	DAC 5 Low Byte	Release card from Simultaneous Mode and update all outputs
Base + 11	DAC 5 High Byte	
Base + 12	DAC 6 Low Byte	

Figure 5-1: I/O Address Map

* Although it is possible to write the low and high bytes separately as shown above, it is much easier to write both bytes with a single OUT DX, AX instruction. In that case, only even addresses are written.

BIT	D7	D6	D5	D4	D3	D2	D1	D0
Low Byte	B5	B6	B7	B8	B9	B10	B11	B12
High Byte	X	X	X	X	X	X	X	X

Table 5-1: Data Format

For UNIPOLAR ranges: For Unipolar ranges, data are in true binary form.

0000 0000 0000 0000 = ZERO
 1000 0000 0000 0000 = 1/2 SCALE
 1111 1111 1111 1111 = FULL SCALE
 |
 MSB or B1<----| |----> B12 or LSB

For BIPOLAR ranges: For Bipolar ranges, data are in offset binary form.

0000 0000 0000 0000 = - FULL SCALE
 1000 0000 0000 0000 = ZERO
 1111 1111 1111 1111 = +FULL SCALE
 |
 MSB or B1 <----| |----> B16 or LSB

This page intentionally left blank

Chapter 6: Software

The AOB8/12 and AOB16/12 cards are straightforward to program. The following example is in BASIC, but for languages such as C or Pascal the procedure is simplified by their support of two-byte output operations:

To output an analog value with 12-bit resolution, a corresponding decimal number N between 0 and 4095 is calculated ($2^{12} = 4096$).

$$N/4096 = V(\text{out})/V(\text{full scale})$$

Then the number is split between high and low bytes, as follows:

$$H\% = \text{INT}(N / 256)$$

$$L\% = N - (H\% * 256)$$

Next the data are written to the selected analog output channel. (See the preceding I/O Address Map.) In this example, we will assume analog output on channel zero (AO 0).

OUT (BASE + 0), L%

OUT (BASE + 1), H%

For simplicity, it was assumed that the simultaneous-update capability was not used.

Examples of this routine are found on the sample disk along with examples in other languages.

VisualBASIC™ UTILITY DRIVER

Extensions to the VisualBASIC language are provided with your card. The extensions are in a directory named VBACCES. These extensions are in the form of a .DLL, a .GBL, and a VisualBASIC sample. Together these files allow you to access the port and main memory space in a fashion similar to BASIC, QuickBASIC, Pascal, C/C++, Assembly, and most other standard languages.

To use these files in a VisualBASIC program, you must create a .MAK file (File | New Project) similar to the sample provided (or else, modify your existing project file) and include the .GBL file (File | Add File). Once this has been done, VisualBASIC will be enhanced with the addition of the following functions.

InPortb

Function: Reads a byte from a hardware port. Due to limitations of VisualBASIC, the number is returned in an integer.

Declaration: function InPortb(byval address as integer) as integer

InPort

Function: Reads an integer from a hardware port. This function returns the 16-bit value obtained from reading the low byte from address and the high byte from address+1.

Declaration: function InPort(byval address as integer) as integer

OutPortb

Function: Writes the lower eight bits of value to the hardware port at address. This function returns the value output.

Declaration: function OutPortb(byval address as integer, byval value as integer) as integer

OutPort

Function: Writes all 16 bits of value to the hardware port at address. This function returns the value output.

Declaration: function OutPort(byval address as integer, byval value as integer) as integer

Peek

Function: Reads a byte from main memory (DRAM).

Declaration: function Peek(byval segment as integer, byval offset as integer) as integer

Poke

Function: Writes the lower eight bits of *value* to *segment.offset*.

Declaration: function Poke(byval segment as integer, byval offset as integer, byval value as integer) as integer

Note that in all of the above functions, an inherent limitation of BASIC in general, and VisualBASIC in particular, makes the values sent less intuitive. All integers in BASIC are signed numbers, wherein data are stored in two's complement form. All bit patterns must be converted to-and-from this two's complement form if meaningful display is required. Otherwise, values returned from the InPortb function will be -128 to 127, rather than 0 to 255. An alternative is to perform all assignments in hexadecimal, rather than decimal form.

Before the program will execute, the .GBL file must be modified to include the path to the VBACCES.DLL as appropriate for your system. Merely replace the statement "VBACCES.DLL" with "drive:path\VBACCES.DLL".

As an alternative to changing the source code, you can copy the VBACCES.DLL file into your Windows directory. This will allow multiple programs to find the same .DLL without having to know where it is located. Just leave off all references to a path in the .GBL file as shown in the sample.

This page intentionally left blank

Chapter 7: Calibration

Periodic calibration of the AOB8/12 and AOB16/12 cards are recommended if it is used in extreme environmental conditions. The card uses very stable components but vibration, or high-low temperature cycles might result in slight analog output errors.

Factory calibration and periodic calibration of the card includes adjustment of the internal reference voltage unless you are using an external reference voltage.

The suggested sequence for calibration is:

- a. Set base address for the card
- b. Set range and polarity for each channel
- c. Adjust 5V Reference Voltage
- d. Adjust Full Scale Gain pot on each channel
- e. Adjust Unipolar range of each channel
- f. Adjust Bipolar range of each channel
- g. Check negative voltage swing

To calibrate the card, run the setup program and follow the screen prompts. No attempt at calibration should be made in noisy locations or with a noisy calibration setup.

Each DAC output is available between the AGND (analog ground) test point near the top right-hand edge of the card (component side) and the Channel Test Point Pins located near each DAC channel's set of calibration potentiometers.

NOTE: After changing a channel's voltage range or polarity, the channel may require recalibration for best accuracy.

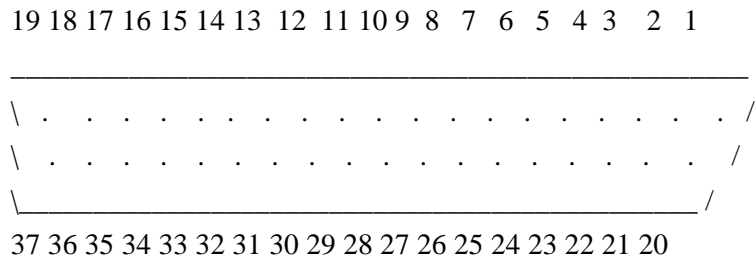
This page intentionally left blank

Chapter 8: Connector Pin Assignments

The analog outputs are accessible via a female 37-pin D type connector that extends through the back of the computer case and a DB37P solder cup plug may be used to make connections. Pin assignments are as follows:

Pin	Name	Function
1	D/A 0 Out	Analog DAC 0 Output
2	D/A 1 Out	Analog DAC 1 Output
3	D/A 2 Out	Analog DAC 2 Output
4	D/A 3 Out	Analog DAC 3 Output
5	D/A 4 Out	Analog DAC 4 Output
6	D/A 5 Out	Analog DAC 5 Output
7	D/A 6 Out	Analog DAC 6 Output
8	D/A 7 Out	Analog DAC 7 Output
9	D/A 8 Out	Analog DAC 8 Output
10	D/A 9 Out	Analog DAC 9 Output
11	D/A 10 Out	Analog DAC 10 Output
12	D/A 11 Out	Analog DAC 11 Output
13	D/A 12 Out	Analog DAC 12 Output
14	D/A 13 Out	Analog DAC 13 Output
15	D/A 14 Out	Analog DAC 14 Output
16	D/A 15 Out	Analog DAC 15 Output
17	+ 12 Vout	+ 12 VDC from PC
18	Analog GND	Analog Ground
19	- 12 Vout	- 12 VDC from PC
20	Return GND	Return Analog Ground
21	Return GND	Return Analog Ground
22	Return GND	Return Analog Ground
23	Return GND	Return Analog Ground
24	Return GND	Return Analog Ground
25	Return GND	Return Analog Ground
26	Return GND	Return Analog Ground
27	Return GND	Return Analog Ground
28	Return GND	Return Analog Ground
29	Return GND	Return Analog Ground
30	Return GND	Return Analog Ground
31	Return GND	Return Analog Ground
32	Return GND	Return Analog Ground
33	Return GND	Return Analog Ground
34	Return GND	Return Analog Ground
35	Return GND	Return Analog Ground
36	+ 5 Vout	+ 5 VDC from PC
37	Power GND	Power Ground

NOTE: The figure below shows how pins are numbered on D type connectors.



Chapter 9: Specification

ANALOG OUTPUTS

Resolution:	12 Binary bits (0 to 4095 decimal).
Channels:	16 or 8 Voltage output channels Voltage output ranges at 5mA max.
	0 to +2.5 VDC
	0 to +5.0 VDC.
	0 to +10.0 VDC.
	-2.5 to +2.5 VDC
	-5.0 to +5.0 VDC.
	-10.0 to +10.0 VDC
Digital-to-Analog Converter:	AD7237 D/A Converter, Double buffered / Simultaneous update
Relative Accuracy:	$\pm \frac{1}{2}$ LSB
Monotonicity:	12 bits over operating temperature range.
Settling Time:	8 μ sec to one LSB for full-scale step input.
Linearity:	$\pm \frac{1}{2}$ LSB integral non-linearity over rated temperature range.
Gain Stability:	15 ppm/ C
Output Drive Capability:	5mA maximum
Short-Circuit Current:	25 mA maximum
Output Resistance:	Less than 0.1
Data Format:	12-bit binary, right justified, and offset binary for bipolar outputs.

POWER REQUIREMENTS:

- +5 VDC at 250 mA.
- +12 VDC at 310 mA maximum (16 channels).
- 12 VDC at 150 mA maximum.

ENVIRONMENTAL:

Operating Temperature Range: 0 to +60 °C.
Storage Temperature Range: -20 to +85 °C.
Humidity: 5% to 95% non-condensing.

SIZE:

Full size card, 13.130" long by 4.50" high

Appendix A: Sample Programs

Sample programs are provided on diskette with the AOB8/12 or AOB16/12. Sample Program #1 demonstrates general use of the card. This program prompts you for a voltage, calculates the closest actual voltage based on the 16-bit resolution of the DAC, and then programs the card to output this voltage. Sample Program #1 is provided in QuickBASIC, C, and Pascal.

Sample Program #2 will generate a sine, triangle, or sawtooth output waveform. This program is provided in QuickBASIC, C, and Pascal. A sample commented listing of the C language version is as follows (but refer to disk copies for the latest examples):

SAMPLE 2.C

This sample program will generate three different waveforms; sine, triangle, and sawtooth. You have the choice of base address, DAC number, and the number of points per cycle.

The base address entered during program execution should correspond to that set up on the card.

```
#include <math.h>
#include <conio.h>
#include <stdio.h>
#include <dos.h>
#define PI 3.1415927
unsigned counts;          /* number of points per cycle */

unsigned baseadr;        /* card base address */
unsigned dacnum;        /* DAC used for output */
unsigned progstruct[20000]; /* buffer to hold points */
```

FUNCTION: setparams() - local routine

PURPOSE: Prompts the user for DAC number, base address, and number of points per cycle.

INPUT : None

CALLS: None

OUTPUT: None

```
void setparams()
{
clrscr();
printf("Enter the base address of your card (in hex)\n");
printf("(Example: 300 : ");
scanf("%x",&baseadr);
```

```

printf("Enter the DAC number you wish to output to (0 or 1):");
scanf("%u",&dacnum);
dacnum%= 2;
printf("Enter the number of points that you wish to calculate per
      cycle,\n");
printf("(20000 maximum, program will use modulus if needed);");
scanf("%u",&counts);
counts%=20001;
} /end setparms*/

```

FUNCTION: sendtoport() - local routine

PURPOSE: Writes point buffer to the DAC until a key is pressed

INPUT: None

CALLS: None

OUTPUT: None

```

void sendtoport()
{
int          i,temp;
long         j;
unsigned char lowbyte,hibyte;

/*Each point is broken into the high byte and low byte, and then
      written to the DAC in two      separate bytes. */
do
{
for(i = 0; i <counts,i++)
{
temp = progstruct{i} % 256;
lowbyte = (unsigned char)temp;
temp = progstruct{i} / 256;
hibyte = (unsigned char)temp;
outportb(baseadr+(dacnum*2),lowbyte);
outportb(baseadr+(dacnum*2+1),hibyte);
}
}
while (!kbhit());
outportb(baseadr+(dacnum*2),0); /*set DAC to 0 output */
outportb(baseadr+(dacnum*2+1),0);
} /*end sendtoport */

```


FUNCTION: sinecurve() - local routine

PURPOSE: Calculate the points to create a sine wave

INPUT: None

CALLS: None

OUTPUT: None

```
void sinecurve()
{
    int    i;
    double rads,sine;
    if (counts == 0) return; /*no point -- no curve */
    clrscr();
    printf("Calculating sine wave points....");
    rads = (double) 2 * PI / (counts - 1); /* rad per count */
    for(i = 0;i <counts;i++)
    {
        sine = (sin(rads * i) + 1.0) * 32767;
        progstruct[i] = (unsigned) sine;
    }
    clrscr();
    printf("Generating sine wave, press any key to stop....");
    sendtoport();
} /* end sinecurve */
```

FUNCTION: trianglecurve() - local routine

PURPOSE: Calculate the points to create a triangle wave

INPUT: None

CALLS: None

OUTPUT: None

```
void trianglecurve(void)
{
    int    i;
    double slope,temp;
    if (counts == 0) return; /* no counts -- no curve */
    clrscr();
    Printf("Calculating triangle wave points....");
    slope = 65535.0 / counts * 2.0; /* waveform slope */
    for(i=0;i <counts/2;i++)
    {
```

```

temp = slope * i;
progstruct[i] = (int)temp;
temp = 65535 - temp;
progstruct[i+counts/2+1] = (int)temp;
}
clrscr();
printf("Generating triangle wave, press any key to stop....");
sendtoport();
}/* end triangle curve */

```

FUNCTION: sawcurve() - local routine

PURPOSE: Calculate the points to create a sawtooth wave

INPUT: None

CALLS: None

OUTPUT: None

```

void sawcurve()
{
int    i;
double slope,temp;
if (counts == 0) return;
clrscr();
printf("Calculating sawtooth wave points....");
slope = 4095.0 / counts; /* sawtooth slope*/
for(i = 0,i <counts;i++)
{
temp = slope * i;
progstruct[i] = (int) temp;
}
clrscr();
printf("Generating sawtooth wave, press any key to stop....");
sendtoport();
}/* end sawcurve */

```

FUNCTION: menulist() - local routine

PURPOSE: Display the menu choice on the screen

INPUT: None

CALLS: None

OUTPUT: None

```

void menulist(void)
{

```

```

clrscr();
printf("\n\n\n");
printf("Your menu selections are:\n");
printf("1. Input Card Data (do this first.)\n");
printf("2. Sine Curve\n");
printf("3. Triangle Curve\n");
printf("4. Sawtooth Curve\n");
printf("5. End Program, Return to DOS\n");
printf("Input Choice;");
}/* end menulist */

```

FUNCTION: main() - local routine

PURPOSE: Controls program execution

INPUT: None

CALLS: None

OUTPUT: None

```

void main(void)
{
char    menuchoice;
clrscr();
do
{
memset(progstruct, 0, sizeof(int); /* clear buffer */
menulist(); /* display the menu*/
menuchoice=getch();/* fetch the menu choice */
switch(menuchoice) /* execute menu selection*/
{
case '1': setparms(); /* fetch system parameters*/ break;
case '2': sinecurve(); /* generate a sine wave */ break;
case '3': trianglecurve(); /* generate a triangle wave*/
break;
case '4': sawcurve(); /* generate a sawtooth wave*/ break;
case '5': return; /* exit to operating system */
};
}
while(1== 1);
}/* end main */

```

This page intentionally left blank

Declaration of Conformity



6260 Sequence Drive
San Diego, CA 92121-4371
(800) 523-2320

Industrial Computer Source declares under its own and full responsibility that the following products are compliant with the protection requirements of the 89/336/EEC and 73/23/EEC directives.

Only specific models listed on this declaration and labeled with the CE logo are CE compliant.

AOB16/12 AOB8/12

Conformity is accomplished by meeting the requirements of the following European harmonized standards:

EN 50081-1:1992 Emissions, Generic Requirements.

-EN 55022 Measurement of radio interference characteristics of information technology equipment.

EN 50082-1:1992 Immunity, Generic Requirements.

-IEC 801-2:1984 Immunity for AC lines, transients, common, and differential mode.

-IEC 801-3:1984 Immunity for radiated electromagnetic fields.

-IEC 801-4:1988 Immunity for AC and I/O lines, fast transient common mode.

EN 60950:1992 Safety of Information Technology Equipment.

Information supporting this declaration is contained in the applicable Technical Construction file available from:



Z.A. de Courtaboeuf
16, Avenue du Québec
B.P. 712
91961 LES ULIS Cedex

Mr. Steven R. Peltier
President & Chief Executive Officer

August 28, 1997
San Diego, CA

BUG REPORT

While we have tried to assure this manual is error free, it is a fact of life that works of man have errors. We request you to detail any errors you find on this BUG REPORT and return it to us. We will correct the errors/problems and send you a new manual as soon as available. Please return to:



INDUSTRIAL COMPUTER SOURCE®

Attn: Documentation Department

P. O. Box 910557

San Diego, CA 92121-0557

Your Name: _____

Company Name: _____

Address 1: _____

Address 2: _____

Mail Stop: _____

City: _____ State: _____ Zip: _____

Phone: (____) _____

Product: **AOB 8/12 & AOB16/12**

Manual Revision: **00650-134-4B**

Please list the page numbers and errors found. Thank you!

