



INDUSTRIAL COMPUTER SOURCE®

Model 6531-KB3 Product Manual

MANUAL NUMBER : 00431-003-2B



INDUSTRIAL COMPUTER SOURCE®



9950 BARNES CANYON ROAD, SAN DIEGO, CA 92121-2720 (619) 677-0877 (FAX) 619-677-0895

INDUSTRIAL COMPUTER SOURCE EUROPE TEL (1) 69.18.74.30 FAX (1) 64.46.40.42 • INDUSTRIAL COMPUTER SOURCE (UK) LTD TEL 01243-533900 FAX 01243-532949

FOREWARD

This product manual provides information to install, operate and or program the referenced product(s) manufactured or distributed by Industrial Computer Source. The following pages contain information regarding the warranty and repair policies.

Technical assistance is available at: **1-800-480-0044**.

Manual Errors, Omissions and Bugs: A "Bug Sheet" is included as the last page of this manual. Please use the "Bug Sheet" if you experience any problems with the manual that requires correction.

NOTE

The information in this document is provided for *reference* only. Industrial Computer Source does not assume any liability arising out of the application or use of the information or products described herein. This document may contain or reference information and products protected by copyrights or patents and does not convey any license under the patent rights of Industrial Computer Source, nor the rights of others.

Copyright © 1995 by Industrial Computer Source, a California Corporation, 9950 Barnes Canyon Rd., San Diego, CA 92121. Industrial Computer Source is a Registered Trademark of Industrial Computer Source. All trademarks and registered trademarks are the property of their respective owners. All rights reserved. Printed in the United States of America. No part of this publication may be reproduced, stored in a retrieval system, or transmitted, in any form or by any means, electronic, mechanical, photocopying, recording , or otherwise, without the prior written permission of the publisher.

This page intentionally left blank

Guarantee

A thirty day money-back guarantee is provided on all **standard** products sold. **Special order products** are covered by our Limited Warranty, *however they may not be returned for refund or credit. EPROMs, RAM, Flash EPROMs or other forms of solid electronic media are not returnable for credit - but for replacement only. Extended Warranty available. Consult factory.*

Refunds

In order to receive refund on a product purchase price, the product must not have been damaged by the customer or by the common carrier chosen by the customer to return the goods, and the product must be returned complete (meaning all manuals, software, cables, etc.) within 30 days of receipt and in as-new and resalable condition. The **Return Procedure** must be followed to assure prompt refund.

Restocking Charges

Product returned *after* 30 days, and *before* 90 days, of the purchase will be subject to a **minimum** 20% restocking charge and any charges for damaged or missing parts.

Products not returned within 90 days of purchase, or products which are not in as-new and resaleable condition, are not eligible for credit return and will be returned to the customer.

Limited Warranty

One year limited warranty on all products sold with the exception of the "Performance Series" I/O products, which are warranted to the original purchaser, for as long as they own the product, subject to all other conditions below, including those regarding neglect, misuse and acts of God. Within one year of purchase, Industrial Computer Source will repair or replace, at our option, any defective product. At any time after one year, we will repair or replace, at our option, any defective "Performance Series" I/O product sold. This does not include products damaged in shipment, or damaged through customer neglect or misuse. Industrial Computer Source will service the warranty for all standard catalog products for the first year from the date of shipment. After the first year, for products not manufactured by Industrial Computer Source, the remainder of the manufacturer's warranty, if any, will be serviced by the manufacturer directly.

The **Return Procedure** must be followed to assure repair or replacement. Industrial Computer Source will normally return your replacement or repaired item via UPS Blue. *Overnight delivery or delivery via other carriers is available at additional charge.*

The limited warranty is void if the product has been subjected to alteration, neglect, misuse, or abuse; if any repairs have been attempted by anyone other than Industrial Computer Source or its authorized agent; or if the failure is caused by accident, acts of God, or other causes beyond the control of Industrial Computer Source or the manufacturer. Neglect, misuse, and abuse shall include any installation, operation, or maintenance of the product other than in accordance with the owners' manual.

No agent, dealer, distributor, service company, or other party is authorized to change, modify, or extend the terms of this Limited Warranty in any manner whatsoever. Industrial Computer Source reserves the right to make changes or improvements in any product without incurring any obligation to similarly alter products previously purchased.



Shipments not in compliance with this Guarantee and Limited Warranty Return Policy will not be accepted by Industrial Computer Source.

Return Procedure

For any Limited Warranty or Guarantee return, please contact Industrial Computer Source's Customer Service at **1-800-480-0044** and obtain a Return Material Authorization (RMA) Number. All product(s) returned to Industrial Computer Source for service or credit **must** be accompanied by a Return Material Authorization (RMA) Number. Freight on all returned items **must** be prepaid by the customer who is responsible for any loss or damage caused by common carrier in transit. Returns for Warranty **must** include a Failure Report for each unit, by serial number(s), as well as a copy of the original invoice showing date of purchase.

To reduce risk of damage, returns of product must be in an Industrial Computer Source shipping container. If the original container has been lost or damaged, new shipping containers may be obtained from Industrial Computer Source Customer Service at a nominal cost.

Limitation of Liability

In no event shall Industrial Computer Source be liable for any defect in hardware or software or loss or inadequacy of data of any kind, or for any direct, indirect, incidental, or consequential damages in connection with or arising out of the performance or use of any product furnished hereunder. Industrial Computer Source liability shall in no event exceed the purchase price of the product purchased hereunder. The foregoing limitation of liability shall be equally applicable to any service provided by Industrial Computer Source or its authorized agent.

Some *Sales Items* and *Customized Systems* are **not** subject to the guarantee and limited warranty. However in these instances, any deviations will be disclosed prior to sales and noted in the original invoice. ***Industrial Computer Source reserves the right to refuse returns or credits on software or special order items.***

Table of Contents

FOREWARD	iii
Guarantee	v
Limited Warranty	v
Return Procedure	vi
Limitation of Liability	vi
Description and Installation	1-1
Installation	1-1
How to remain CE Compliant	1-2
Appendix A: KB3/A Data Sheet	A-1

List of Figures

Figure 1: 6531-KB3 Assembly	1-1
Figure 2: 6531-KB3 Dimensions	1-3
Figure 3: 6531-KB3/M Dimension	1-5

Current Revision 2B

March 1997

This page intentionally left blank

Description and Installation

The 6531-KB3 Series is a low profile, AT compatible keyboard for use in industrial rack mounted configurations. The keyboard has a special layout offering all the key functionality of the enhanced keyboard but in a narrower than usual, and thus rack mountable, package.

The keyboard is firmly mounted in a simple bracket offering the slide mounted capabilities for standard RETMA 19" equipment cabinets. The 6531-KB3 Series requires only 1.75" of rack space -the minimum amount available for a rack mounted device.

Installation

Installation consists solely of mounting the rails into the equipment rack, sliding the keyboard into place, and connecting the keyboard to your computer. Two sets of rear brackets are include to allow mounting in racks from 17 to 30 inches in depth. The installed brackets fit on 17 to 24 inch deep racks. For racks deeper than 24 inches, remove the four screws (10) holding the rear brackets in place and install the longer rear brackets (13) with the four screws.

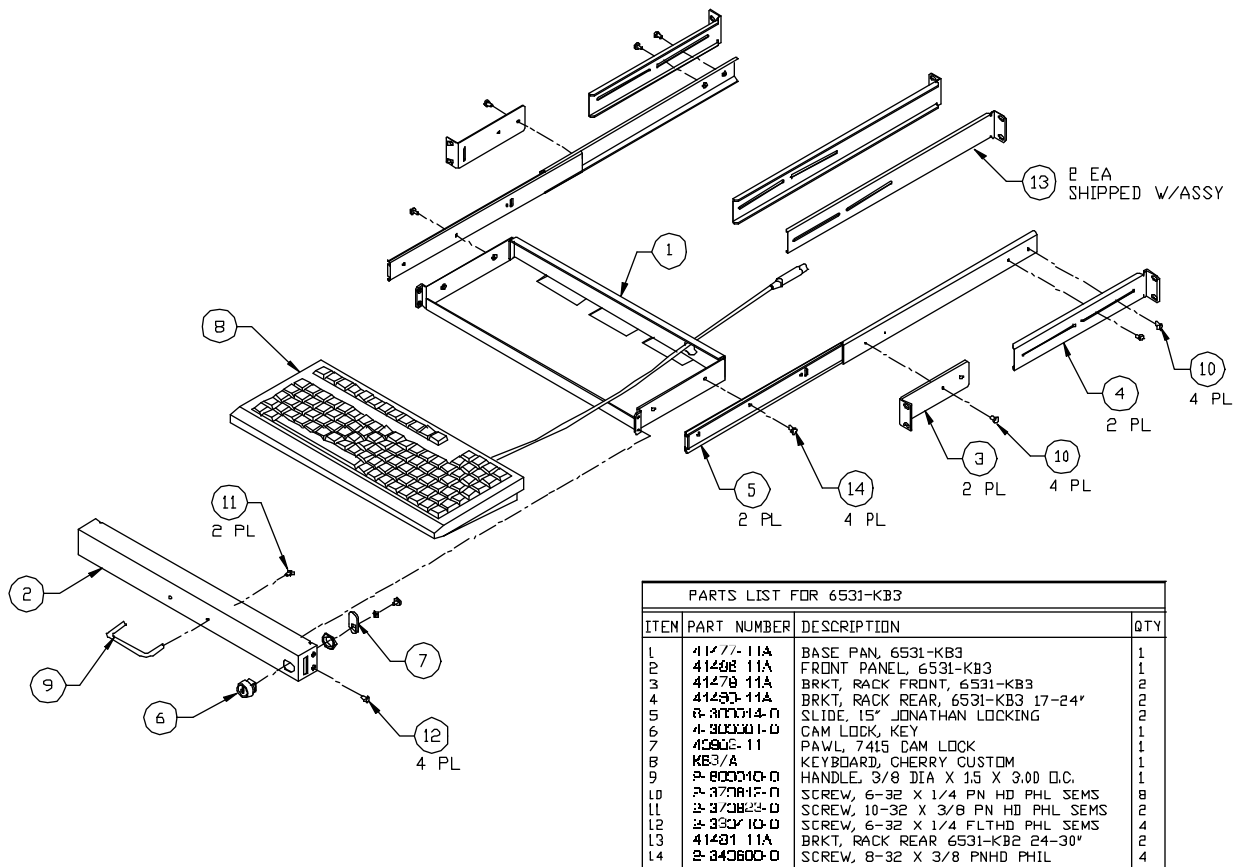


Figure 1: 6531-KB3 Assembly

The keyboard latches into position by use of the keylock on the right side of the front panel. When the keyboard is extended (approximately 11"), it will lock into place. To slide the keyboard back into the rack, press and hold the tabs on the outside of the rails to unlock it and slide it back into the rack.

The keyboard is connected to the computer via the standard DIN connector at the end of the coiled interconnect cable. The cable extends to approximately six feet when fully extended and is about thirty inches long in its normal coiled state.

The keyboard utilizes standard AT keyboard codes for full IBM PC/AT compatibility. For full specifications on the keyboard, refer to the model KB3/A data sheet located in Appendix A.

How to remain CE Compliant

In order for machines to remain CE compliant, only CE compliant parts may be used. To keep a chassis compliant it must contain only compliant cards, and for cards to remain compliant they must be used in compliant chassis. Any modifications made to the equipment may affect the CE compliance standards and should not be done unless approved in writing by Industrial Computer Source.

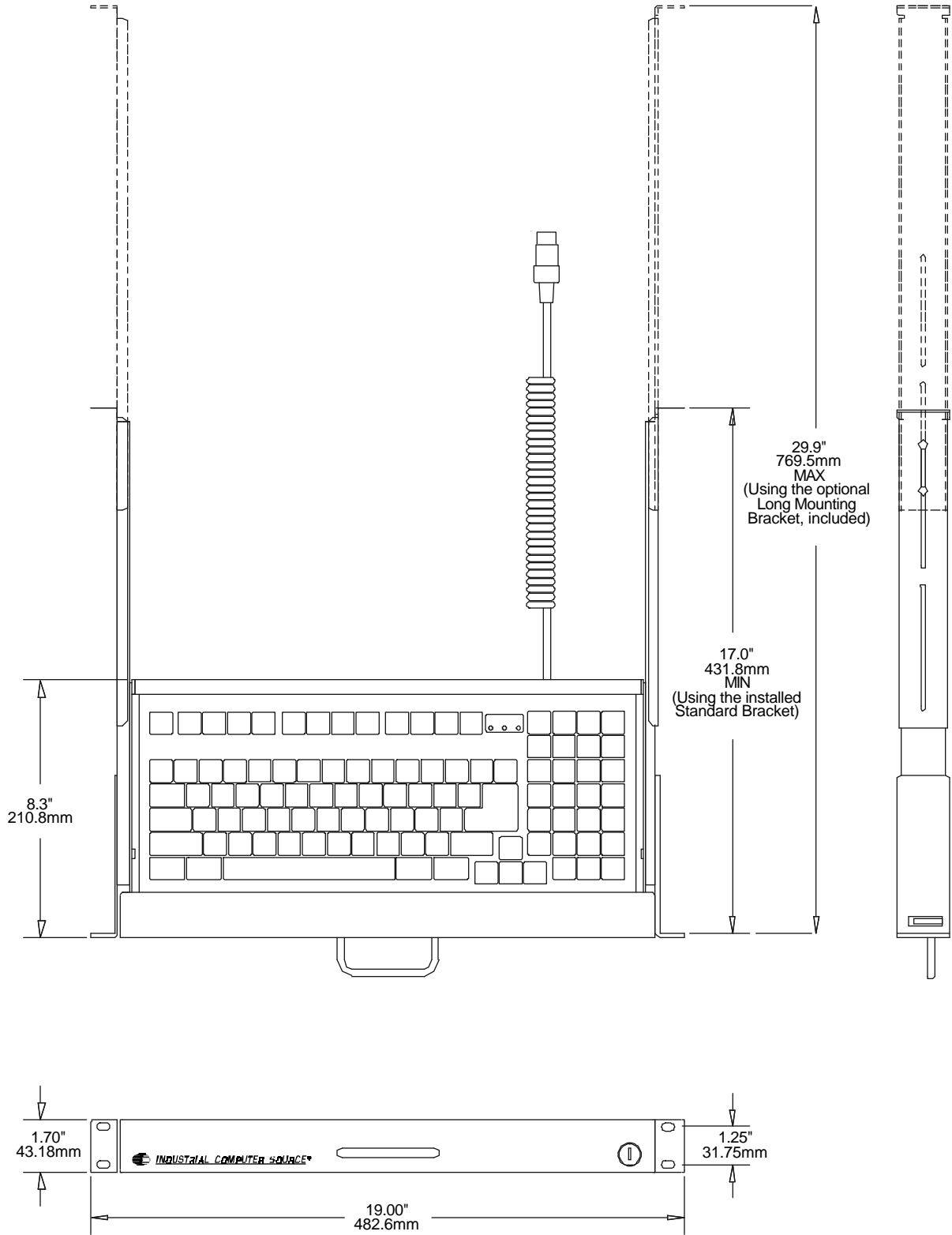


Figure 2: 6531-KB3 Dimensions

This page intentionally left blank

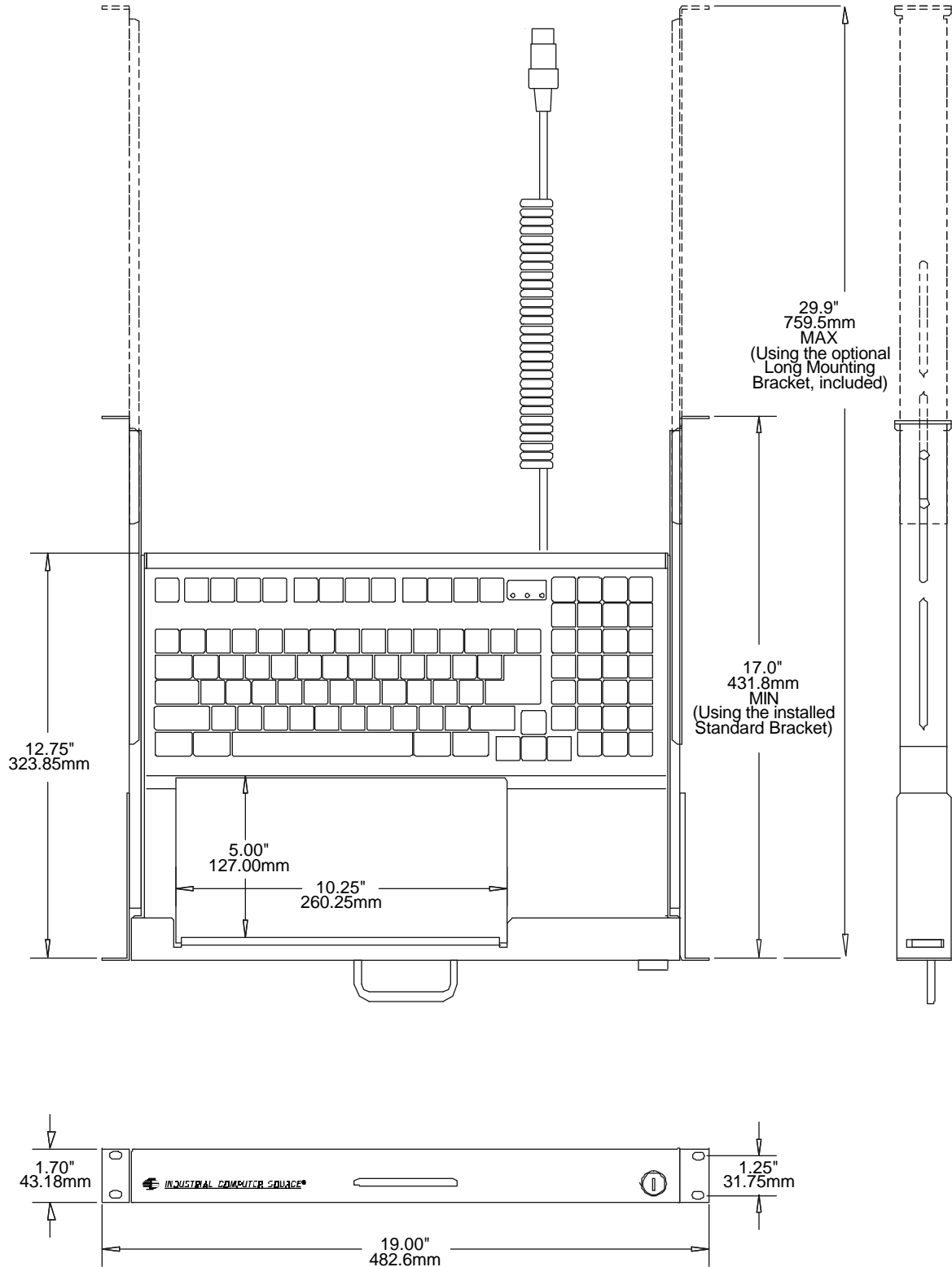


Figure 3: 6531-KB3/M Dimension

This page intentionally left blank

Appendix A: KB3/A Data Sheet

This page intentionally left blank

Declaration of Conformity



9950 Barnes Canyon Road
San Diego, CA 92121-2720
(800) 523-2320

Industrial Computer Source declares under its own and full responsibility that the following products are compliant with the protection requirements of the 89/336/EEC and 73/23/EEC directives.

Only specific models listed on this declaration and labeled with the CE logo are CE compliant.

6531-KB3

6531-KB3M

Conformity is accomplished by meeting the requirements of the following European harmonized standards:

EN 50081-1:1992 Emissions, Generic Requirements.

-EN 55022 Measurement of radio interference characteristics of information technology equipment.

EN 50082-2:1995 Immunity, Generic Requirements.

-IEC 801-2:1992 Immunity to Electrostatic Discharge

EN 50082-1:1992 Immunity, Generic Requirements.

-IEC 801-3:1984 Immunity for radiated electromagnetic fields.

EN 60950:1992 Safety of Information Technology Equipment.

Information supporting this declaration is contained in the applicable Technical Construction file available from:



Z.A. de Courtaboeuf
16, Avenue du Québec
B.P. 712
91961 LES ULIS Cedex

Mr. Steven R. Peltier
President & Chief Executive Officer

March 17, 1996
San Diego, CA

BUG REPORT

While we have tried to assure this manual is error free, it is a fact of life that works of man have errors. We request you to detail any errors you find on this BUG REPORT and return it to us. We will correct the errors/problems and send you a new manual as soon as available. Please return to:



INDUSTRIAL COMPUTER SOURCE®

Attn: Documentation Department

P. O. Box 910557

San Diego, CA 92121-0557

Your Name: _____

Company Name: _____

Address 1: _____

Address 2: _____

Mail Stop: _____

City: _____ State: _____ Zip: _____

Phone: (____) _____

Product: **6531-KB3**

Manual Revision: **00431-003-2B**

Please list the page numbers and errors found. Thank you!

